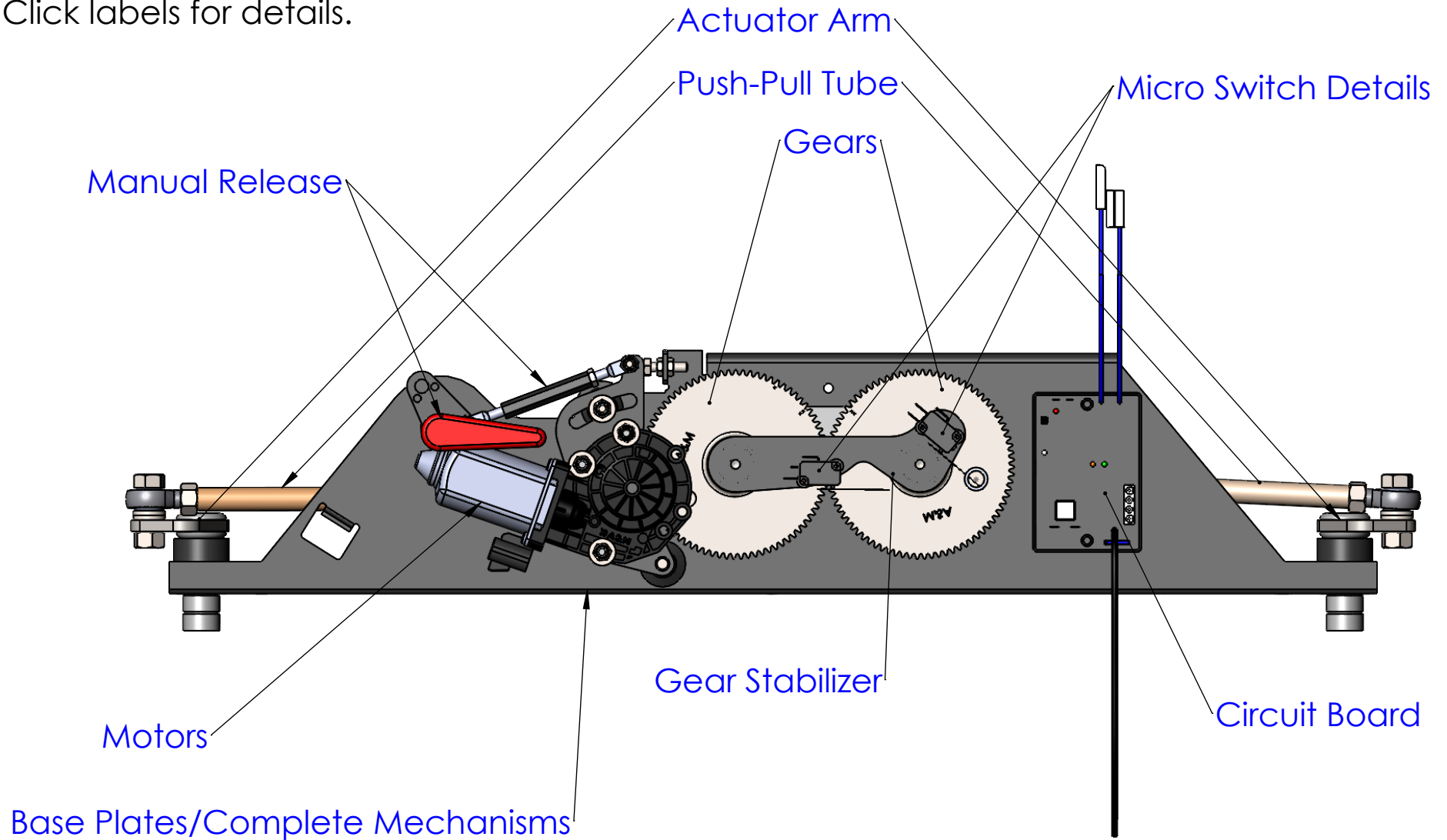


Click labels for details.



DOC00219 Electric Vertical Assembly